

BE5040 Dual-Band Wi-Fi 7 XGS-PON Gateway

ZXHN F8705E



Overview

ZXHN F8705E is a dual band Gigabit premium triple-play XGS-PON gateway. Its 5G supports a maximum of 240Mhz bandwidth and a maximum rate of 5040Mbps*. It comes with one 2.5GE LAN port, three GE LAN ports, one phone port, and dual band 2x2 Wi-Fi 7.

*Depends on the allocation of radio spectrum in countries/regions



Highlights



2.5GE Gigabit Speed

- 2.5GE LAN port brings higher throughput



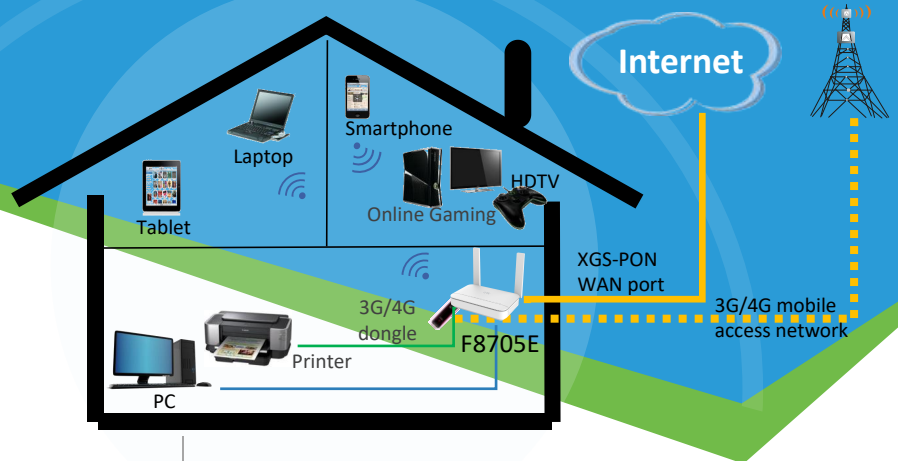
More Flexible Management

- Complete OMCI complying with ITU-T G.988
- OMCI plus TR-069 complying with BBF TR-142 framework



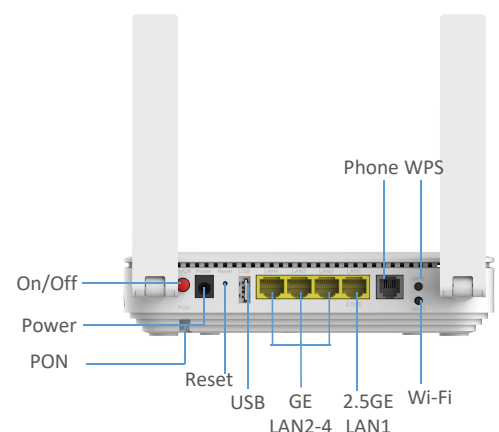
Ultimate Wi-Fi 7 Experience

- Higher-order 4096-QAM modulation, bring better concurrency and higher efficiency
- Dual band Wi-Fi 7 up to 5040Mbps
- Channel bandwidth of Wi-Fi 7@5GHz max up to 240MHz
- Band steering, smart roaming optimize QoS



Hardware Specifications

Interfaces	WAN	• XGS-PON
	LAN	<ul style="list-style-type: none"> • 1x2.5GE RJ-45 port • 3xGE RJ-45 ports • 1xFXS RJ-11 port • 1xUSB 2.0 port • 2x2 802.11b/g/n/ax/be Wi-Fi @ 2.4GHz • 2x2 802.11a/n/ac/ax/be Wi-Fi @ 5GHz
Buttons	<ul style="list-style-type: none"> • Wi-Fi • WPS 	<ul style="list-style-type: none"> • Reset • On/Off
LEDs	<ul style="list-style-type: none"> • Power, PON, LOS, Internet, 2.5GE, LAN2-4, Phone, 2.4G, 5G, WPS, USB 	
Antenna	<ul style="list-style-type: none"> • External antennas 	





Software Functions

Wi-Fi

- Channel bandwidth of Wi-Fi 7@5GHz max up to 240MHz
- Dual band Wi-Fi 7 up to 5040Mbps
- Higher-order 4096-QAM modulation
- Multi-link operation
- Multi-RU mechanism
- Manual/Auto radio channel selection
- WPA/WPA2/WPA3 Security

VoIP

- SIP (RFC3261) compliant
- DTMF and pulse number receiving
- DTMF encryption algorithm (RFC2833)
- G.711 a/u law, G.729, and G.722 coding /encoding algorithm
- VAD and CNG
- T.30 fax, T.38 fax

Networking

- IPv4/IPv6 dual-stack
- Port mapping/DMZ/Virtual server
- UPnP IGD with NAT traversal capability
- Static routing/dynamic routing
- Dynamic DNS relay
- DHCP client/server
- IGMP and MLD snooping/proxy

QoS

- Flexible packet classification
- 802.1p and DSCP remarking
- Up to eight queues
- SP/DWRR/SP+DWRR
- Priority based queuing scheduling
- Wi-Fi Multimedia (WMM)

Security

- Stateful Packet Inspection (SPI) firewall
- Denial of Service (DoS) protection
- Multiple VPN pass-through(L2TP/PPTP/IPSec)
- MAC/IP/URL filtering
- Service based access control

Management

- TR-069/OMCI remote management
- Web GUI based management
- Local built-in diagnostic function
- Logs and statistics
- Remote upgrade by HTTP

Other Characteristics

Power Supply	<ul style="list-style-type: none"> • 12V DC, 1.5A
Characteristics	<ul style="list-style-type: none"> • Dimensions: 122 × 183 × 41.5 mm
Environmental	<ul style="list-style-type: none"> • Operating temperature: 0 °C~ 40°C • Humidity: 5% ~ 95% (non-condensing)
Certification	<ul style="list-style-type: none"> • CE • ROHS • Wi-Fi 7 certification ready