

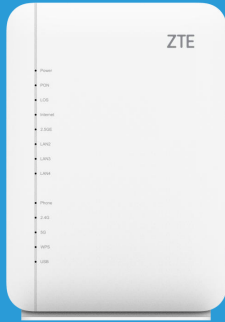
AX3000 Dual-Band Wi-Fi 6 XGS-PON Gateway

ZXHN F8605P

Overview

ZXHN F8605P is an AX3000 dual-band gigabit premium triple-play XGS-PON gateway. It comes with one 2.5GE LAN port, three GE LAN ports, one phone port.

MU-MIMO and OFDMA technologies sharply improve efficiency of the Wi-Fi network. 160MHz ensures larger bandwidth for customer to better surf the internet, watch the video, and play online game with ultimate Wi-Fi experience.



Highlights



Higher Speeds

- XGS-PON and 2.5GE LAN port bring higher throughput.



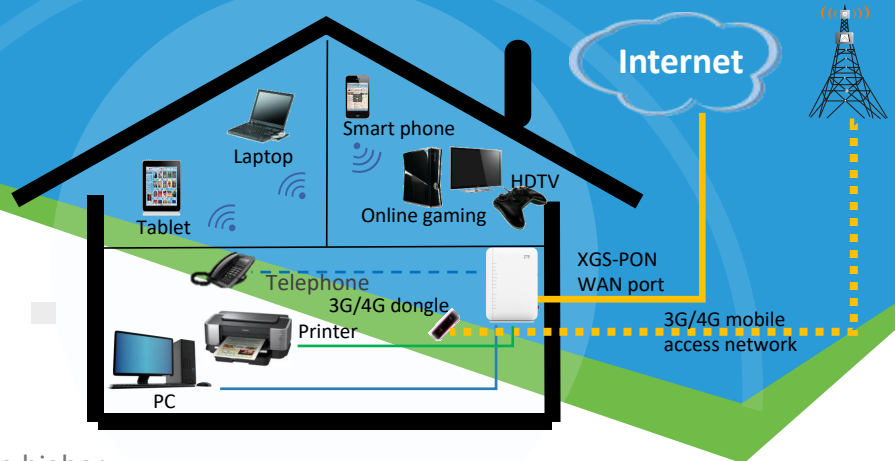
More Flexible Management

- Complete OMCI complying with ITU-T G.988
- OMCI plus TR-069 complying with BBF TR-142 framework.



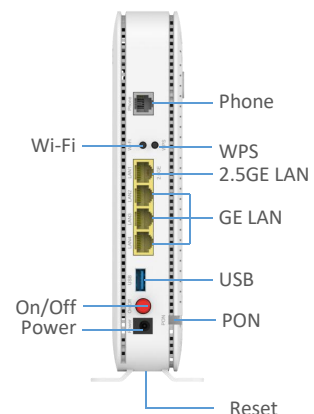
Ultimate Wi-Fi Experience

- DL/UL MU-MIMO, OFDMA and Beamforming bring better concurrency and higher efficiency.
- Dual band Wi-Fi 6 up to 3000Mbps, 160MHz@5GHz.



Hardware Specifications

Interfaces	WAN	• XGS-PON
	LAN	• 1x2.5GE+3xGE RJ-45 ports • 1xFXS RJ-11 port • 1xUSB 2.0 port • 2x2 802.11b/g/n/ax Wi-Fi @ 2.4GHz • 2x2 802.11a/n/ac/ax Wi-Fi @ 5GHz
Buttons	• Wi-Fi • WPS	• Reset • On/Off
LEDs	• Power, PON, LOS, Internet, Phone, 2.5GE, LAN2-4, 2.4G, 5G, WPS, USB	
Antenna	• Internal antennas	





Software Functions

Wi-Fi

- 160 MHz channel bandwidth@5G
- DL/UL MU-MIMO and OFDMA
- Manual/Auto radio channel selection
- Target-Wakeup Time
- Spatial Reuse
- Beamforming for 5GHz band
- WPA/WPA2/WPA3 Security
- Four broadcast/hidden SSIDs on each band

VoIP

- Dial plan and call routing management
- Voice activity detection/silence suppression
- Comfort Noise Generation (CNG)
- DTMF tone detection and generation
- Fax/modem detection and pass-through

Networking

- IPv4/IPv6 dual-stack
- Port mapping/DMZ/Virtual server
- UPnP IGD with NAT traversal capability
- Static routing/dynamic routing
- Dynamic DNS relay
- DHCP client/server
- IGMP and MLD snooping/proxy

QoS

- Flexible packet classification
- 802.1p and DSCP remarking
- Up to eight queues
- SP/DWRR/SP+DWRR
- Priority based queuing scheduling
- Wi-Fi Multimedia (WMM)

Security

- Stateful Packet Inspection (SPI) firewall
- Denial of Service (DoS) protection
- Multiple VPN pass-through(L2TP/PPTP/IPSec)
- MAC/IP/URL filtering
- Service based access control

Management

- TR-069/OMCI remote management
- Web GUI based management
- Local built-in diagnostic function
- Logs and statistics
- Remote upgrade by HTTP

Other Characteristics

Power Supply	<ul style="list-style-type: none"> • 12V DC, 1.5A
Characteristics	<ul style="list-style-type: none"> • Dimensions: 201*125*40 mm
Environmental	<ul style="list-style-type: none"> • Operating temperature: 0 °C~ 40°C • Humidity: 5% ~ 95% (non-condensing)
Certification	<ul style="list-style-type: none"> • CE • ROHS • Wi-Fi